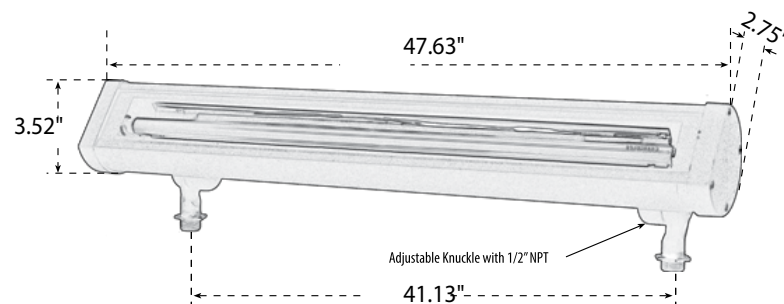


WARNING: RISK OF FIRE AND ELECTRICAL SHOCK. FIXTURE MUST BE INSTALLED BY A QUALIFIED ELECTRICIAN ONLY IN ACCORDANCE WITH NATIONAL, LOCAL BUILDING AND ELECTRICAL CODES. DISCONNECT POWER AT ELECTRICAL PANEL BEFORE SERVICING.

31024-RGBW INSTALLATION INSTRUCTIONS FOR: Outdoor RGBW Color-Changing Linear LED Commercial Sign Lig

Safety Precautions:

- **Read Carefully:** Prior to installation or servicing, thoroughly read and understand all safety precautions and instructions. Failure to follow these guidelines may result in serious injury, electric shock, or property damage.
- **Qualified Installation:** It is strongly recommended that all wiring be performed by a licensed electrician. This fixture must be installed in compliance with all national and local electrical codes.
- **Avoid Wet Conditions:** Do not handle or attempt to energize the fixture with wet hands, or while standing on wet surfaces or in water. Do not install within 10 ft or less from the nearest edge of a pool, spa, fountain, or similar location
- **Verify Power Source:** Ensure the power source meets the fixture's requirements.
- **TOOLS REQUIRED FOR INSTALLATION:** Wire Strippers, Flathead Screwdriver, Philips Screwdriver
Reconnect power after servicing.



1. To prevent electrical shock, disconnect before installation or service.
2. Strip the two (2) leads from the fixture wire. Using a silicone filled connector or outdoor rated wire nuts (not supplied) connect the leads from the fixture to the main supply cable leads.
NOTE: Wire shall not be buried more than 6 inches below surface. Secure connection to the main supply cable. Always coil extra wire not used below fixture for future relocation if desired.
3. Adjust fixture to desired angle.
NOTE: When no escape outlet is provided avoid aiming fixture directly upward. When possible, set at angle to prevent rain or irrigation water from setting on lens. This is not applicable in the Well Light Series.
4. Reconnect power after servicing.

WARNING: RISK OF FIRE AND ELECTRICAL SHOCK. FIXTURE MUST BE INSTALLED BY A QUALIFIED ELECTRICIAN ONLY IN ACCORDANCE WITH NATIONAL, LOCAL BUILDING AND ELECTRICAL CODES. DISCONNECT POWER AT ELECTRICAL PANEL BEFORE SERVICING.

LAMP INSTALLATION/ REPLACEMENT:

CAUTION: DO NOT EXCEED MAXIMUM WATTAGE MARKED ON FIXTURE LABEL.

1. Lamp gets HOT quickly! Do not touch lighted lamp, lens, guard or enclosures. Lighted lamp is HOT! Please allow fixture to cool down before servicing. Please keep lamp away from combustible materials that may burn. Contact only switch/plug when turning on. To prevent electrical shock, disconnect power supply before replacing lamp.
2. Remove shroud to expose lamp.
3. Replace lamp with correct wattage and type of lamp marked on fixture label.

NOTE: DO NOT touch Halogen Lamp with bare hands. Always use the plastic bag (if available) or soft cloth when handling the lamp. Oil from skin may damage lamp.

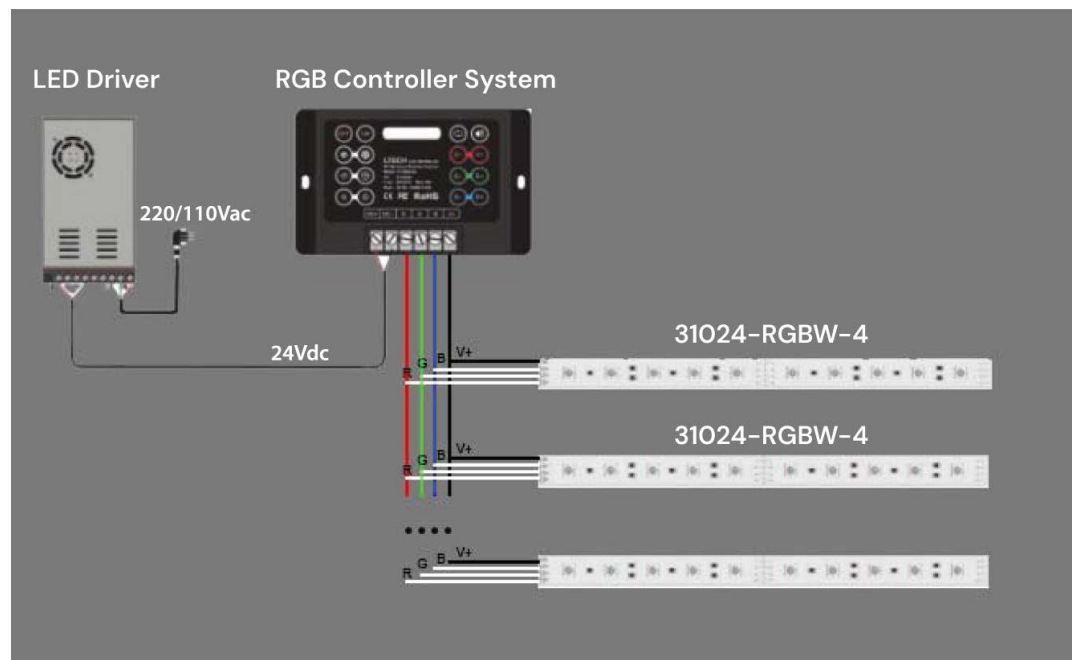
Re-install shroud.
Reconnect power.

WIRING MANUAL

1. **Power Connection:** Connect the LED driver input to AC220V/ AC110V, and the output +V/-V to the DC+/DC- terminals of the RGB Controller System.
2. **RGB Sign Light Wiring:** The RGB sign light has four cables labeled R (Red), G (Green), B (Blue), and V+ (Black). Connect each corresponding wire from the RGB sign light (R/G/B/V+) to the matching terminals on the RGB Controller System. Refer to the wiring diagram for further details.
3. **Controller Capacity:** Each RGB Controller System can control up to 10 units of the 31024-RGBW-4. For optimal performance, position the controller in the center of the luminaires.

Important Notes:

- Ensure that the R/G/B output wires can handle currents of more than 6A.
- The V+ output wire must be rated to handle currents of more than 18A.



Ensure all connections are secure before powering on the system.

WARNING:



RISK OF FIRE AND ELECTRICAL SHOCK. FIXTURE MUST BE INSTALLED BY A QUALIFIED ELECTRICIAN ONLY IN ACCORDANCE WITH NATIONAL, LOCAL BUILDING AND ELECTRICAL CODES. DISCONNECT POWER AT ELECTRICAL PANEL BEFORE SERVICING.



1. Driver Connections:

- Input: Connect the driver input to either AC220V or AC110V.
- Output: Connect the driver output terminals (V+/R-/G-/B-) to the corresponding wires of the RGB Sign Light (V+/R/G/B). The black wire represents V+. Refer to the provided wiring diagram for details.

2. Remote Control:

The remote controller can operate the driver from a distance of up to 10 meters.

Important Notes:

Ensure that the sensor is placed outside and is not enclosed in a metal box, as this may interfere with its functionality.

